

Nozzles

for modular systems for lubrication, technopolymer

MATERIAL

Acetal-based technopolymer (POM), orange.

STANDARD EXECUTIONS

- **FHN**: nozzle with a single hole.
- **FHN-P**: nozzle with a hole with a rectangular section.
- **FHN-F**: nozzle with a joint head with sixteen holes.

FEATURES

The use of nozzles allows the lubricating spray to be adjusted, concentrating it or distributing it on the surface concerned. Fitting to be implemented by means of snap coupling (Fig.1) with modular tubes FHT (see page -). See Modular systems for lubrication (on page -).

CHEMICAL COMPATIBILITY

Material resistant to detergents, lubricants and oils, avoid contact with strong acids and bases. To use fluids other than those listed, contact Eles+Ganter's technical department. In any case we suggest to verify the suitability of the product under the actual working conditions.

SPECIAL EXECUTIONS ON REQUEST

- Nozzles made from raw materials suitable for contact with food (FDA CFR.21 and EU 10/2011).
- Nozzles for modular systems with tubes with a diameter of 3/4".

ACCESSORIES ON REQUEST

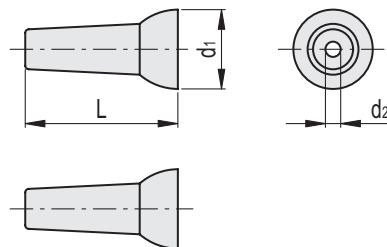
Pliers to assemble the components.



Fig.1

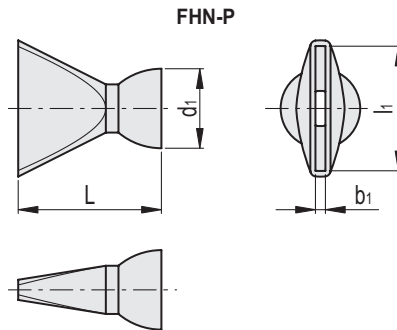


FHN



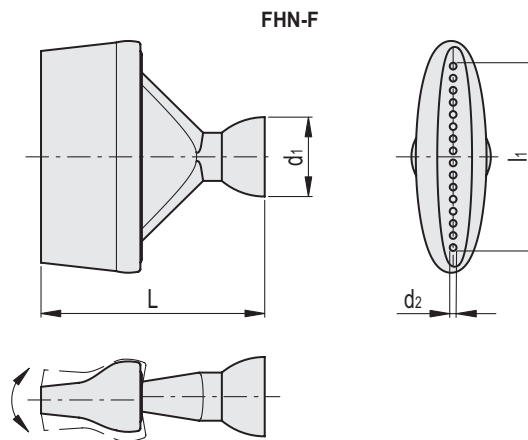
FHN

Code	Description	L	d1	d2	For modular system	⚖
471101	FHN.1/4-1	30	16	1.5	1/4	2
471106	FHN.1/4-3	30	16	3	1/4	2
471111	FHN.1/4-5	30	16	5	1/4	2
471126	FHN.1/2-5	49.5	26	5	1/2	6
471131	FHN.1/2-8	49.5	26	8	1/2	7
471136	FHN.1/2-11	28.5	26	11	1/2	6



FHN-P

Code	Description	L	d1	l1	b1	For modular system	⚖
471116	FHN.1/4-P25	28.5	16	25	2	1/4	2
471141	FHN.1/2-P50	51	26	50	2	1/2	10



FHN-F

Code	Description	L	d1	d2	l1	For modular system	⚖
471121	FHN.1/4-F	44.5	16	1.5	38	1/4	8

